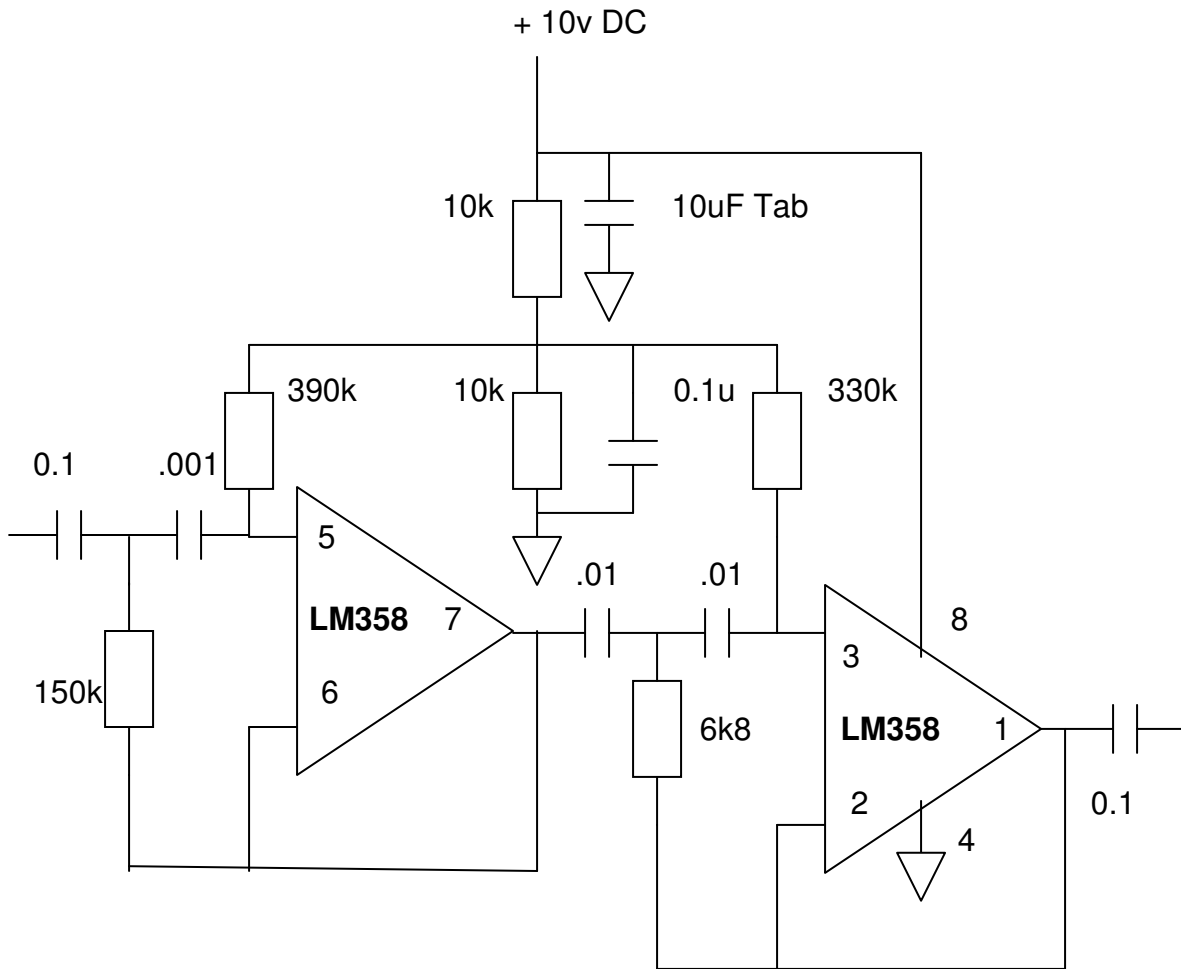


Queensland Digital Group Inc

CTCSS High Pass Filter

30 September 2005

Fit to Philips 815 Tx to remove line residual CTCSS audio from link which uses SK1



Audio Input T3 board, pin 74
Audio Output T3 board, pin 71
+10v T3 board, pin 3
Ground T3 board, pin 8

Fit following links:
79 – 80

Remove following links:
73 – 75
78 – 79
Any link fitted to 71
Any link fitted to 81
Any link fitted to 82